

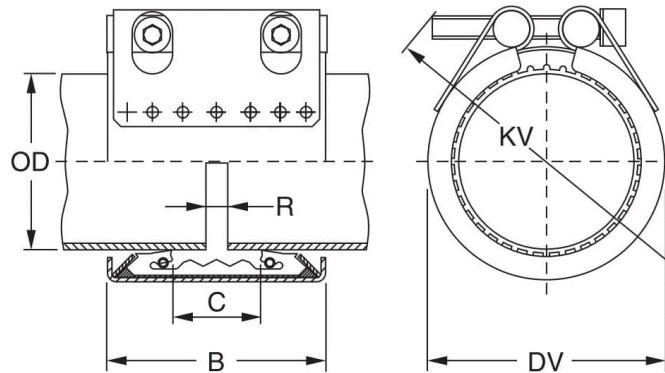
# STRAUB-METAL GRIP COUPLING



For IPS Outside Diameter Pipe



Axial-Restraint Pipe Coupling



## STRAUB-METAL GRIP

Nominal IPS	PIPE OUTSIDE DIAMETER		Working Pressure psi/bar	Agency Approved Pressure* psi/bar	COUPLING DIMENSIONS		ASSEMBLED DIMENSIONS		MAXIMUM DISTANCE BETWEEN PIPE ENDS (Rmax.)		Torque Rate Ft.lbs./Nm	Approx. Weight Each Lbs./kg
	Actual	OD Range +/-			B	C	DV	KV	Without Strip insert	With Strip insert		
	Inches In./mm	In./mm			In./mm	In./mm	In./mm	In./mm	In./mm	In./mm		
1	1.315	1.31 - 1.35	900	232	2.6	0.7	1.7	2.6	0.2	0.6	7.5	0.7
	33.7	33.2 - 34.2	62.1	16.0	66	18	43	66	5	15	10	0.3
1¼	1.660	1.65 - 1.69	770	232	2.4	0.8	2.4	3.5	0.2	0.6	11	1.1
	42.4	41.9 - 42.9	53.1	16.0	61	20	61	89	5	15	15	0.5
1½	1.900	1.88 - 1.92	640	232	2.4	0.8	2.7	3.7	0.2	0.6	11	1.1
	48.3	47.7 - 48.7	44.1	16.0	61	20	69	94	5	15	15	0.5
2	2.375	2.35 - 2.40	540	232	3	1.5	3.2	4.3	0.4	1.0	15	1.7
	60.3	59.6 - 60.9	37.2	16.0	76	38	81	109	10	25	20	0.8
3	3.500	3.46 - 3.54	540	232	3.7	1.5	4.6	5.7	0.4	1.0	26	3.2
	88.9	87.8 - 89.9	37.2	16.0	94	38	117	145	10	25	35	1.5
4	4.500	4.46 - 4.54	490	232	3.7	1.5	5.5	6.5	0.4	1.0	26	3.8
	114.3	113.2 - 115.3	33.8	16.0	94	38	140	165	10	25	35	1.7
5	5.500	5.44 - 5.56	470	232	4.3	1.7	6.6	7.9	0.6	1.4	45	7.8
	139.7	138.7 - 141.2	32.4	16.0	109	43	168	201	15	36	60	3.5
6	6.625	6.56 - 6.69	420	232	4.3	1.7	7.9	9.1	0.6	1.4	45	8.8
	168.3	166.6 - 169.9	28.8	16.0	109	43	201	231	15	36	60	4.0
8	8.625	8.54 - 8.71	380	232	5.9	2.4	10.2	11.6	0.6	1.4	75	20.6
	219.1	216.9 - 221.2	26.2	16.0	150	61	259	295	15	36	100	9.4
10	10.750	10.65 - 10.85	300	174	5.8	2.6	12.5	14.6	0.6	1.4	135	33.5
	273.0	270.5 - 275.5	20.7	12.0	147	66	318	371	15	36	180	15.2
12	12.750	12.62 - 12.87	250	145	5.8	2.6	14.5	16.5	0.6	1.4	170	37.8
	323.9	320.5 - 326.8	17.2	10.0	147	66	368	419	15	36	230	17.2
14	14.000	13.86 - 14.13	250	116	5.8	2.6	15.8	17.7	0.6	1.4	170	40.3
	355.6	352.0 - 358.9	17.2	8.0	147	66	401	450	15	36	230	18.3
16	16.000	15.85 - 16.16	200	116	5.8	2.6	17.8	19.7	0.6	1.4	170	54.3
	406.4	402.5 - 410.4	13.8	8.0	147	66	452	500	15	36	230	24.7
18	18.000	17.81 - 18.19	120	94	5.8	2.6	20	22	0.6	1.4	185	59.4
	457.2	452.3 - 462.0	8.3	6.4	147	66	508	559	15	36	250	27.0
20	20.000	19.80 - 20.20	90	80	5.8	2.6	22	24	0.6	1.4	185	64.2
	508.0	502.9 - 513.0	6.2	5.5	147	66	559	610	15	36	250	29.2
24	24.000	23.80 - 24.19	70	65	5.8	2.6	26	28	0.6	1.4	221	74.2
	609.6	604.5 - 614.4	4.9	4.4	147	66	660	711	15	36	300	33.7

\*Agency approved pressures are for applications that require authorization of Classification Societies, such as Marine Approval Bodies.

Other sizes available upon request.

1" - 8": W2 or W4  
10" - 24": W1 only